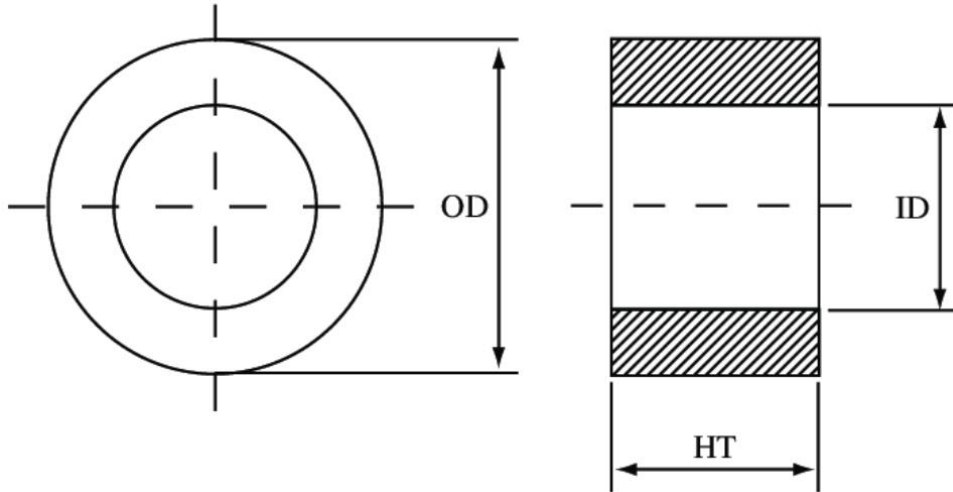


NANOCRYSTALLINE MINIATURE CORES

PART#: 29-21-6.5



CORE AND CASE DIMENSIONS

CORE OD MM	CORE ID MM	CORE HT MM	CASE OD MM	CASE ID MM	CASE HT MM
29.00	21.00	6.50	31.00	19.00	8.50

CORE SPECIFICATIONS

- Outer Diameter D: 29mm (+0.5/-0)mm
- Inner Diameter d: 21mm (-0.5/+0)mm
- Height h: 6.5mm (+0.2/-0)mm
- Cross-Sectional Area A_e : 0.21cm²
- Mean Magnetic Path Length l_e : 7.85cm
- Stacking Factor: 80%
- Average Core Weight: 11.80grams
- Operating Temperature: -25°C~+110°C
- Max Temperature:- 130°C
- Input Current (mA):- 25mA
- Guaranteed Minimum Output Voltage (mV): 0.55mV
- Frequency: 50Hz
- Als(μ H) Typical: 30 μ H (@1KHZ/1.0V)

