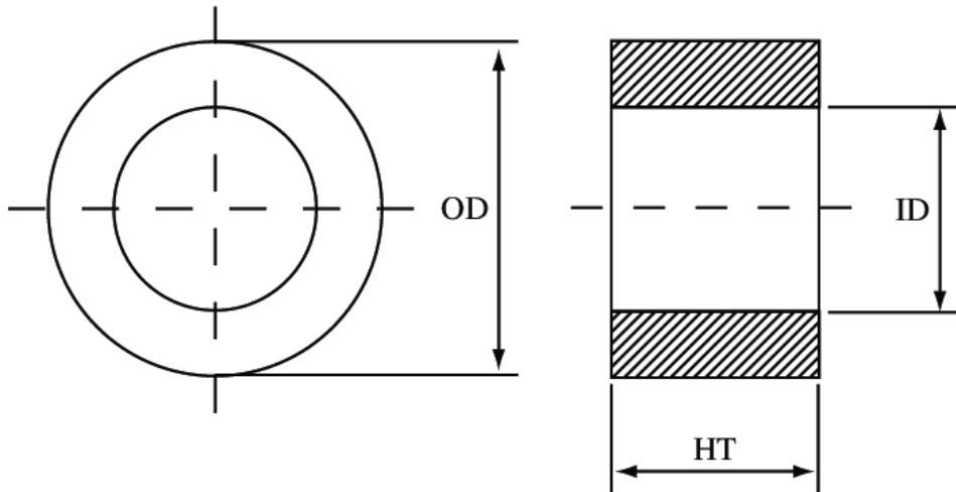


## NANOCRYSTALLINE MINIATURE CORES

**PART#: 28-19-10**



### CORE AND CASE DIMENSIONS

CORE OD MM	CORE ID MM	CORE HT MM	CASE OD MM	CASE ID MM	CASE HT MM
28.00	19.00	10.00	30.00	17.00	12.00

### CORE SPECIFICATIONS

- Outer Diameter D: 28mm (+0.5/-0)mm
- Inner Diameter d: 19mm (-0.5/+0)mm
- Height h: 10mm (+0.2/-0)mm
- Cross-Sectional Area  $A_e$ : 0.36cm<sup>2</sup>
- Mean Magnetic Path Length  $l_e$ : 7.38cm
- Stacking Factor: 80%
- Average Core Weight: 19grams
- Operating Temperature: -25°C~+110°C
- Max Temperature:- 130°C
- Input Current (mA):- 25mA
- Guaranteed Minimum Output Voltage (mV): 2.0mV
- Frequency: 50Hz
- Al( $\mu$ H) Typical: 70 $\mu$ H @1KHZ/1.0V/PAR MODE

