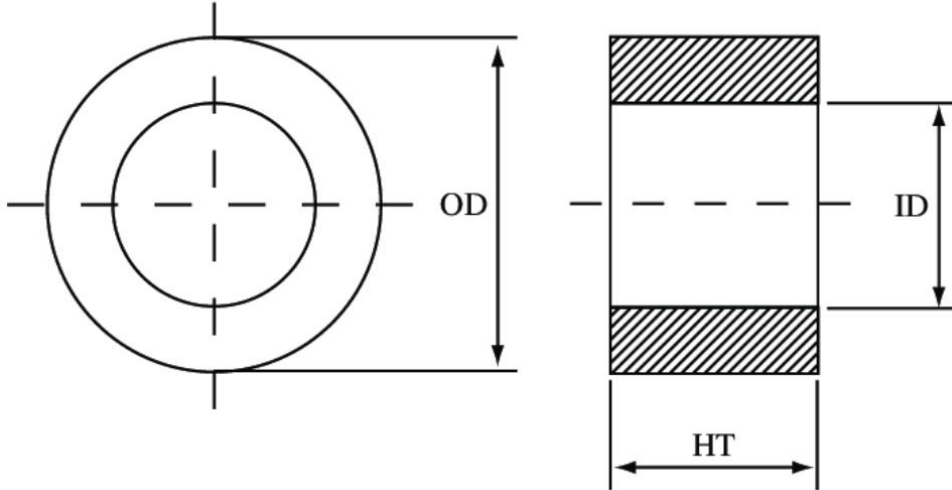


## NANOCRYSTALLINE MINIATURE CORES

### PART#: 19-14-8



### CORE AND CASE DIMENSIONS

CORE OD MM	CORE ID MM	CORE HT MM	CASE OD MM	CASE ID MM	CASE HT MM
19.00	14.00	8.00	21.50	12.20	10.00

### CORE SPECIFICATIONS

- Outer Diameter D: 19mm (+0.5/-0)mm
- Inner Diameter d: 14mm (-0.5/+0)mm
- Height h: 8mm (+0.2/-0)mm
- Cross-Sectional Area  $A_e$ : 0.16cm<sup>2</sup>
- Mean Magnetic Path Length  $l_e$ : 5.18cm
- Stacking Factor: 80%
- Average Core Weight: 6grams
- Operating Temperature: -25°C~+110°C
- Max Temperature:- 130°C
- Input Current (mA):- 25mA
- Guaranteed Minimum Output Voltage (mV): 1.95mV
- Frequency: 50Hz
- $A_{ls}$ ( $\mu$ H) Typical: 65 $\mu$ H (@1KHZ/1.0V)

