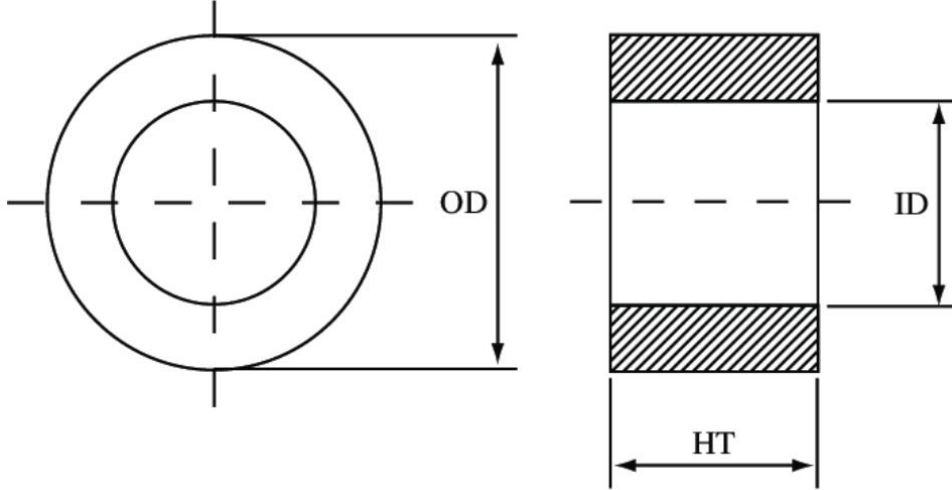


## NANOCRYSTALLINE MINIATURE CORES

### PART#: 16.5-12.5-5



### CORE AND CASE DIMENSIONS

CORE OD MM	CORE ID MM	CORE HT MM	CASE OD MM	CASE ID MM	CASE HT MM
16.50	12.50	5.00	18.30	10.40	6.20

### CORE SPECIFICATIONS

- Outer Diameter D: 16.5mm (+0.5/-0)mm
- Inner Diameter d: 12.5mm (-0.5/+0)mm
- Height h: 5mm (+0.2/-0)mm
- Cross-Sectional Area  $A_e$ : 0.08cm<sup>2</sup>
- Mean Magnetic Path Length  $l_e$ : 4.55cm
- Stacking Factor: 80%
- Average Core Weight: 2.6grams
- Operating Temperature: -25°C~+110°C
- Max Temperature:- 130°C
- Input Current (mA):- 25mA
- Guaranteed Minimum Output Voltage (mV): 1.40mV
- Frequency: 50Hz
- $Als(\mu H)$  Typical: 40 $\mu H$  (@1KHZ/1.0V)

